



# AQ Temp Sensor

## Continuously monitors temperature in flowing liquid or gas

Liquid flows through the sensor. The temperature of the liquid is monitored using a PT100 element. AQ Temp Sensor operates without direct contact with liquid.

### ■ Aseptic design

AQ Temp Sensor is compact, turned from one piece and the inside is completely smooth.

All wetted parts are made of acid-proof steel. AQ Temp Sensor can be CIP (Clean In Place) washed and steam sterilised in line up to 130°C.

All the connection are standard tri clamp connections which gives good aseptic and makes it easy to assemble and disassemble.

### ■ Connect

The AQ Temp Sensor is based on a PT100 element. The AQ Temp Sensor comes with 4 wire connection for high accuracy measuring as standard.

### ■ Usability

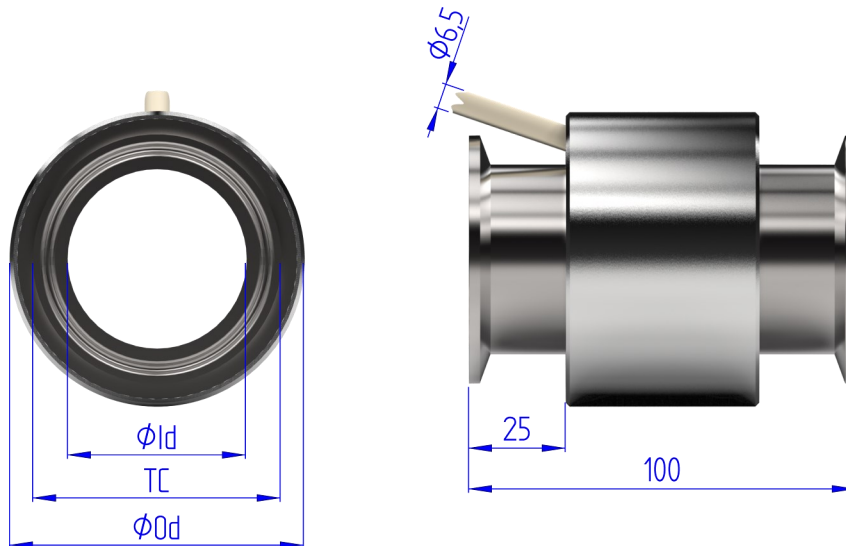
AQ Temp Sensor can be used in biochemical industries and different process industries to detect temperatures between 0°C and 130°C with an accuracy of 0,2°C.

### ■ Reliable and flexible

No moving parts and easy connection makes AQ Temp Sensor very reliable and easy to use.

It is not sensitive for outer damage or disturbance, such as vibrations.





#### AQ Temp Sensor, 316L (Acid-proof Steel)

Model number	TSS4-25	TSS6-25	TSS10-25	TSS16-25
Id (Inner diameter)	4 mm	6 mm	10 mm	16 mm
Od (Outer diameter)	51 mm	51 mm	51 mm	51 mm
TC (Tri Clamp Connection)	25	25	25	25

#### AQ Temp Sensor, 316L (Acid-proof Steel)

Model number	TSS22-50	TSS35-50	TSS46-64
Id (Inner diameter)	22 mm	35 mm	46 mm
Od (Outer diameter)	64 mm	64 mm	76 mm
TC (Tri Clamp Connection)	50	50	64

Operating temperature range	0°C to + 130°C
Temperature accuracy	±0,2°C
Standard cable length	5 m
Corresponding to standard	DIN EN 60751, Class A
Enclosure classification	IP67



#### AQ M-Tech AB

Bolandsgatan 10  
753 23 Uppsala, Sweden  
+ 46 (0) 18-470 29 00

[www.aqmttech.se](http://www.aqmttech.se)

**WE ARE RELIABLE**